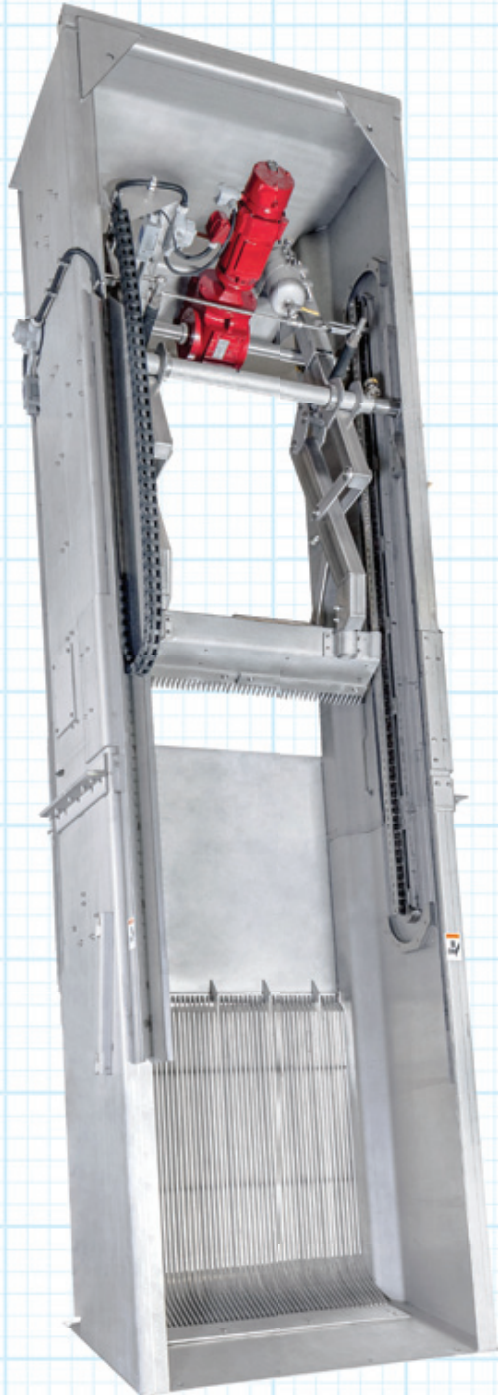


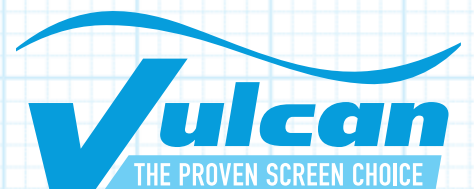


# Mensch Severe Duty™ Bar Screen

Product Information Guide



Find more product information at:  
[vulcanindustries.com](http://vulcanindustries.com)





# Mensch Severe Duty™ Bar Screen

## Stainless Steel Side Frame

Full Frame (as shown), Partial Frame and Spliced Frame (for installation in existing buildings) are available. Standard side frames are formed from 3/8" thick stainless steel plate with four engineered bends for rigidity creating a side frame width of 34" - the strongest frames in the industry.

## Wiper Mechanism

Internal to screen frame with no brushes or water required.

## Side Access Panels

Drive shaft roller removal access for easy bearing maintenance.

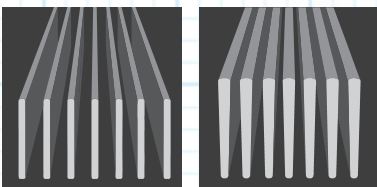
## Rake Removal Plates

## Power Cable Carrier Trough

Enclosed trough design available for deep applications.

## Choice of Rectangular or Trapezoidal Bar Rack

Bar spacing from 1/4" to 3"+



## Sized For Your Project

Channel widths from 18 inches to 13 feet, and depths of up to 100 feet.

## Drive Options

TEFC and explosion-proof brake motors and fully-submersible electric explosion proof brake motors available.

## Optional Semi-automatic Pin Rack Lubrication and Cleaning System

Easy pin rack maintenance from above the channel, for deep channel applications.

## Stainless Steel Guide Shaft

Located below the drive shaft for greater rake stability and forceful engagement of the rake teeth into the bar rack.

## Spring Loaded, Dual Arm Articulating Rake Assembly

Ability to bypass large objects in channel and continue screening.

## Pin Rack

Hardened steel chain links or individual rollers and bushings, or stainless steel rollers, and bushings.

## Separate Guide Tracks

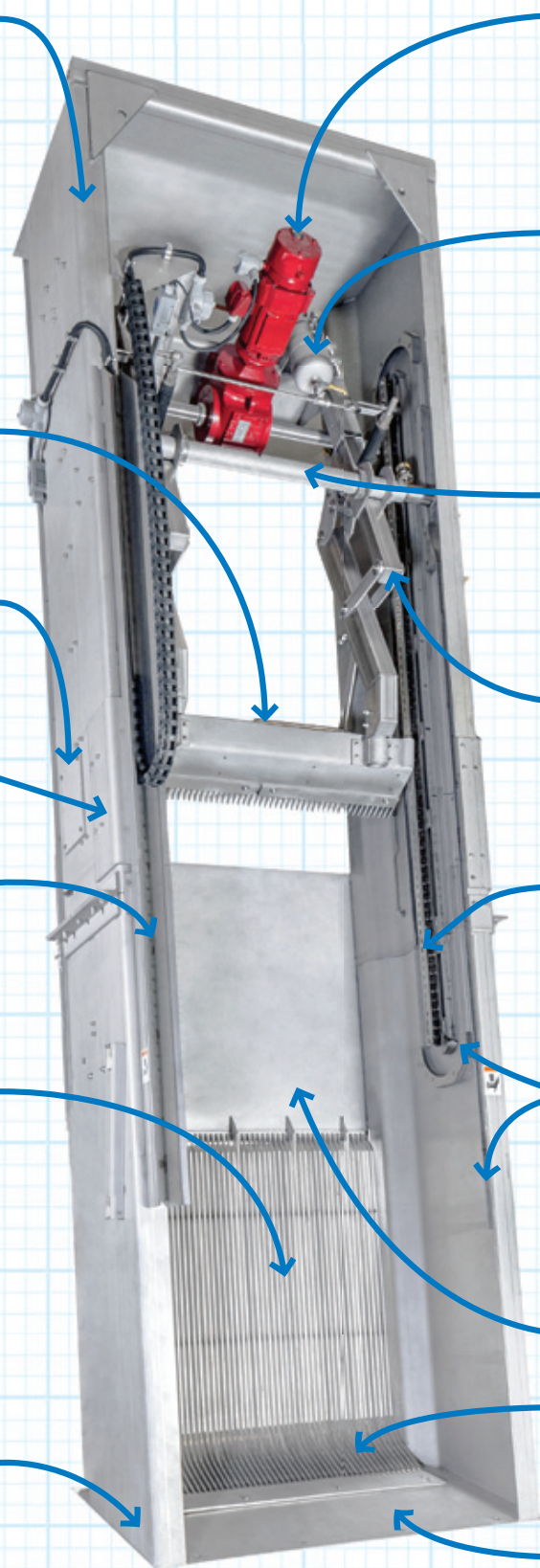
Provided for the drive shaft rollers and the guide shaft rollers on the rake assembly. Positive rake engagement and screenings discharge.

## Dead Plate

## Arched Bar Rack Gussets

Rake engages at the channel invert for complete cleaning.

## Flush Bottom Base Plate



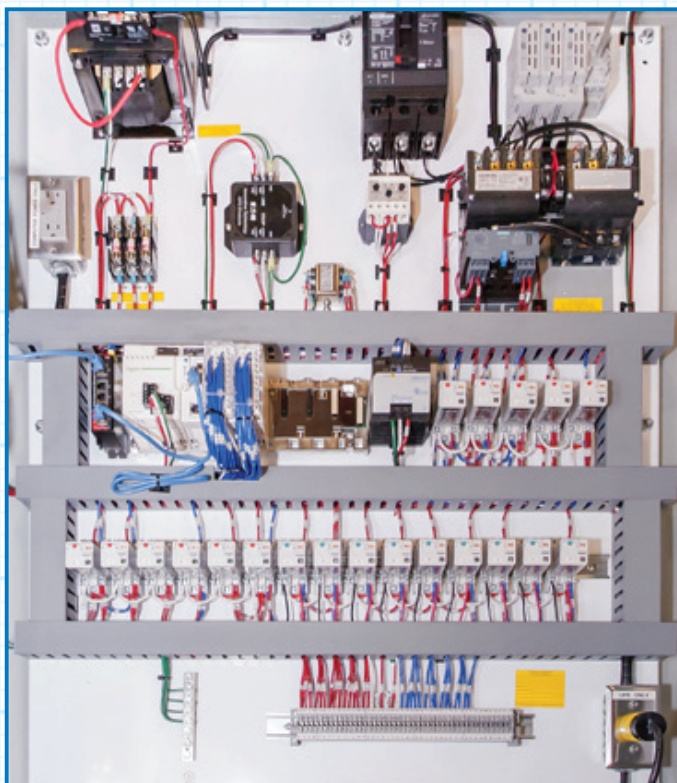


## Over 25 Years of Proven Reliability

The **Mensch Severe Duty™ Bar Screen** is well known for its versatility in a wide array of pumping station and head works projects, along with setting the standard for robust design in the most severe waste water, combined sewer, and storm water applications. You cannot find a more durable screen on the market.

Mensch Bar Screens are custom designed and fabricated to meet the demands of the environment in which they are placed. All frame, bar rack, and drive components are sized according to severe duty design standards that ensure every screen performs to the full satisfaction of the client in every application.

There is no comparison in quality and service after the sale. With over 2000 installations operating in the United States alone, Vulcan is the leader in severe duty bar screen applications.

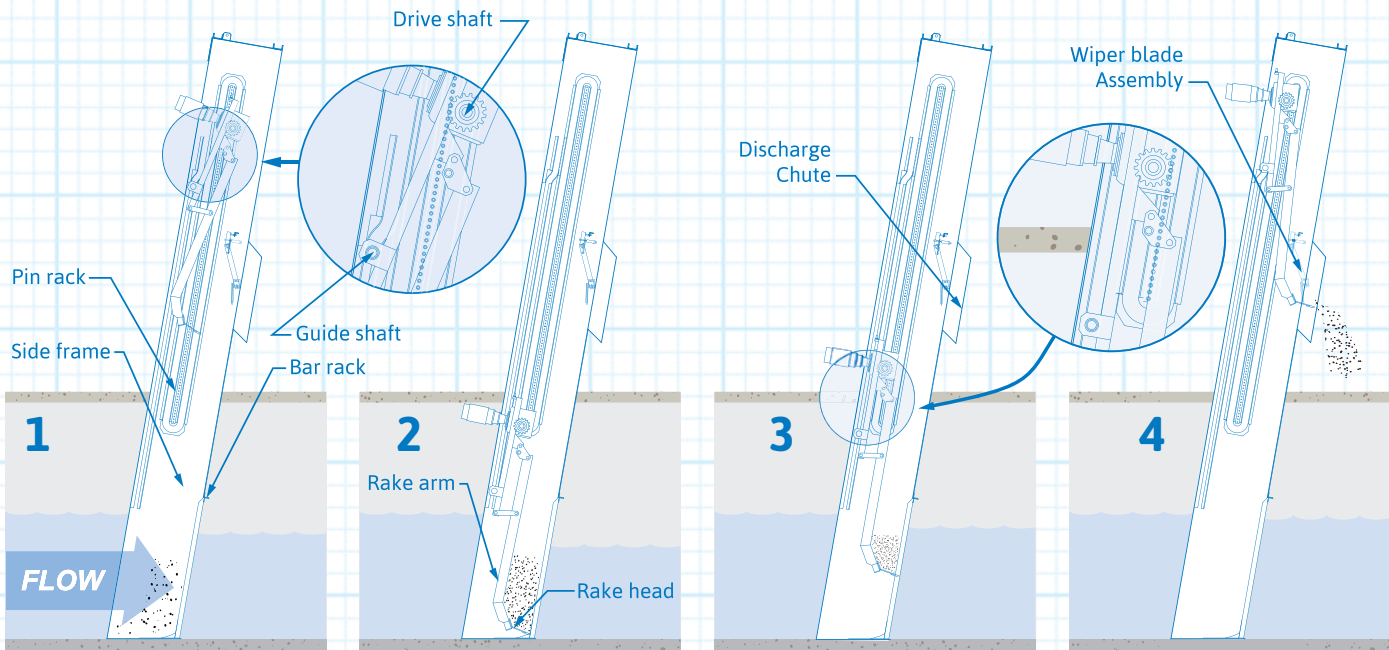


## Electrical Controls

Each control panel we provide is designed and manufactured by highly skilled technicians in our own electrical facility to meet the specifications for the particular project. Our panels are UL Listed and can meet UL 508A or UL 698A standards. Prior to shipment, each panel is fully assembled and tested with the equipment. Panels can be installed as free standing, wall mounted or screen mounted. Control system design can include a variety of relay or programmable logic devices to interact with today's SCADA and HMI systems. Our standard control package includes timers with ultrasonic differential level control for starting and stopping the screen. Motor current is monitored to prevent damage to the screen drive system if something were to lodge into the bar rack. A reversing feature allows back cleaning of the bar rack to dislodge the object and then reverse again to continue screening.



# Mensch Severe Duty™ Bar Screen



## ▲ Sequence of Operations

- 1** The bar screen cleaning cycle begins when the rake assembly travels downward after it is activated from the “park” position.
- 2** As the rake assembly rotates around the lower end of the pin rack, the rake arms force the rake head teeth to engage the bar rack.
- 3** The rake assembly travels up the pin rack, cleaning debris from the bar rack and delivering the screenings to the point of discharge.
- 4** The rake engages the wiper blade to clean the rake head. The rake assembly then returns to the “park” position.



## Screenings Handling

In addition to our screens, Vulcan offers a wide array of screenings handling and dewatering devices. **The Model EWP Washing Press and Model ESP Screw Press** provide dewatering and transport for collected screenings. Connect multiple screening devices to a single dewatering and compacting device with a conveyor or sluicing trough from Vulcan. To assemble the most cost effective and efficient array of screening and screenings handling devices, please contact your Vulcan representative.

Find more product information at:  
**vulcanindustries.com**

212 S. Kirlin Street  
Missouri Valley, Iowa 51555 USA  
712-642-2755 Fax 712-642-4256

