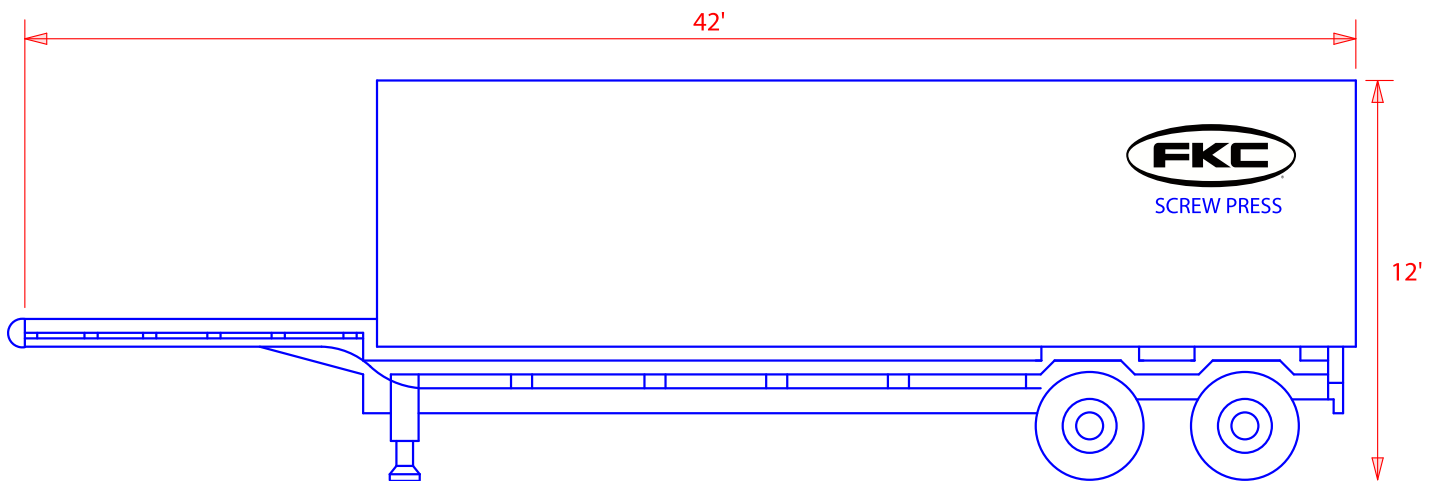


# FKC SCREW PRESS ON-SITE TRIALS

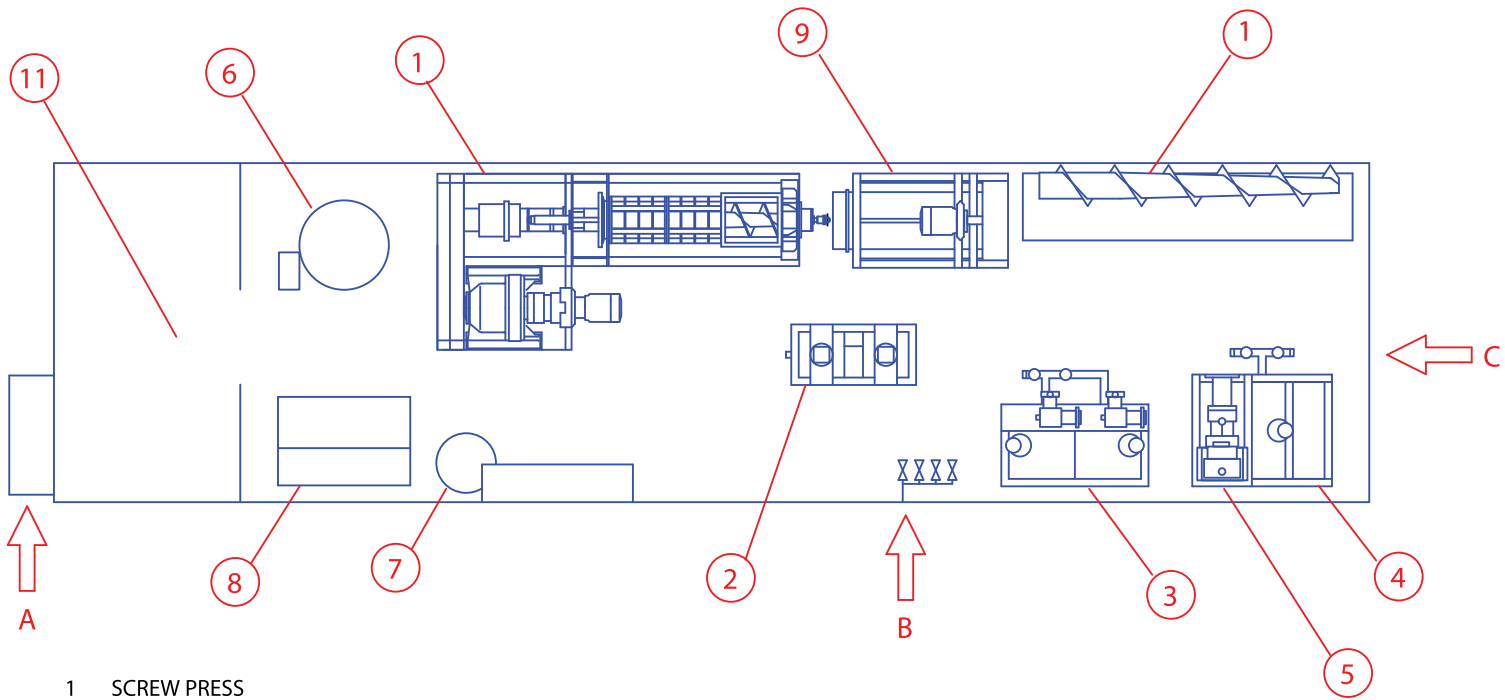


## ON-SITE TRIAL REQUIREMENTS

1. Power: 460 or 575 volt, three-phase power is required to the test trailer power connection. The total amp requirement will be < 20 amps.
2. Water: One ¾" water hose to the trial unit for polymer make-down, steam generation, rotary screen thickener shower water, and wash-down is required.
3. Sludge Supply: A sludge line to the sludge feed tank inlet valve located at the rear of the trailer is necessary. If there are 2 or more materials to be mixed for dewatering, separate lines are required for each sludge. Each trailer carries a portable poly tank which can be used to mix sludges.
4. Kerosene: Five gallons of kerosene should be provided to power the boiler for steam generation if steam use testing is to be done.
5. Other: A bin place next to the trailer for cake disposal is helpful. Usually 100–200 lbs./hr of dewatered material will be produced. 100' of 2½" hose is carried on the trailer for sludge supply and filtrate drainage.
6. Cost: The cost for an on-site test is the cost of one-way trailer transportation plus airfare for two FKC technicians to the airport nearest the work site.



FKC Co., Ltd.  
2708 West 18th Street  
Port Angeles, WA 98363  
Phone: (360)452-9472  
Fax: (360)452-6880  
e-mail: mail@fkcscrewpress.com



- 1 SCREW PRESS
- 2 FLOCCULATION TANKS W/ AGITATORS
- 3 POLYMER TANKS W/ AGITATORS
- 4 SLUDGE TANK W/ AGITATOR
- 5 SLUDGE FEED PUMP
- 6 BOILER
- 7 BOILER FUEL TANK
- 8 CONTROL PANEL
- 9 ROTARY SCREEN THICKNER
- 10 SPARE SCREWS SHELIVING
- 11 LAB

- A ELECTRICAL CONNECTION  
575V or 480V / 3 PH
- B WATER CONNECTION  
3/4" NPT
- C SLUDGE CONNECTION  
2 1/2" FEMALE CAMLOCK

